

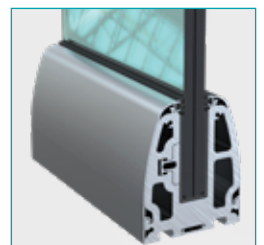
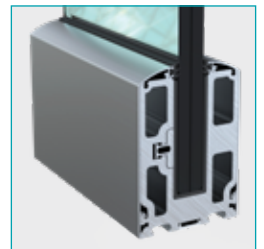
SMART BASE

## GLASS RAIL SYSTEMS

✓ FAST AND SAFE APPLICATION

✓ LESS STOCK

✓ ECONOMIC AND FLEXIBLE SOLUTION





Arfen Köprü Yapı Teknolojileri Ltd. Şti. / İZMİT



Arfen İnşaat A.Ş. / İSTANBUL



Arfen Alüminyum A.Ş. / TEKİRDAĞ

As ARFEN, We've started our journey since 1999. We have three manufacturing factories over two continents in total of 18000 m2 closed area. We produce construction Expansion Joint Profiles, Bridge Expansion Joint Profiles, Wall and Corner Protection Systems, Decoration Profiles and Entrance Mat Systems for our country and the World. ARFEN is able to meet the World standards and requirements of the sector. We are keen and eager on continuously developing and growing with our valuable business partners.

## PRODUCT RANGE

EXPANSION JOINT PROFILES

WALL & CORNER PROTECTION SYSTEMS

DECORATION PROFILES

ENTRANCE MAT SYSTEMS

BRIDGE EXPANSION JOINT PROFILES AND BEARINGS

PVC WATERSTOPS

TPE EXPANSION JOINT AND CHAMFER TAPES

VINCI ARCHITECTURAL SYSTEMS

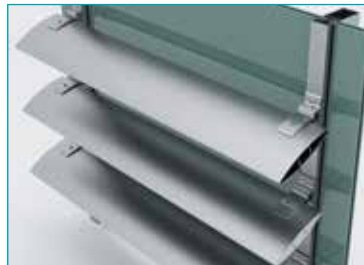
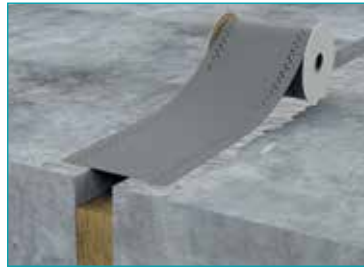
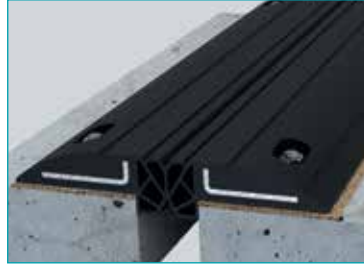
SUNSHADES AND LOUVRES

WATERSLAG AND COPPING SERIES

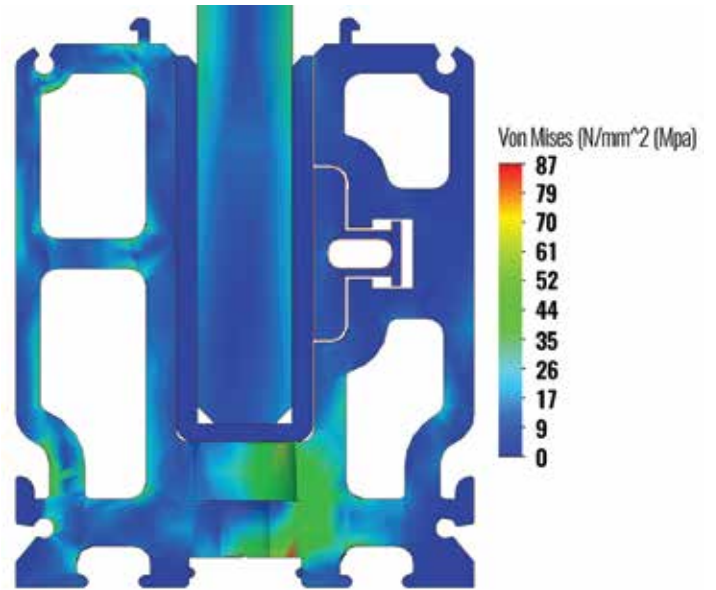
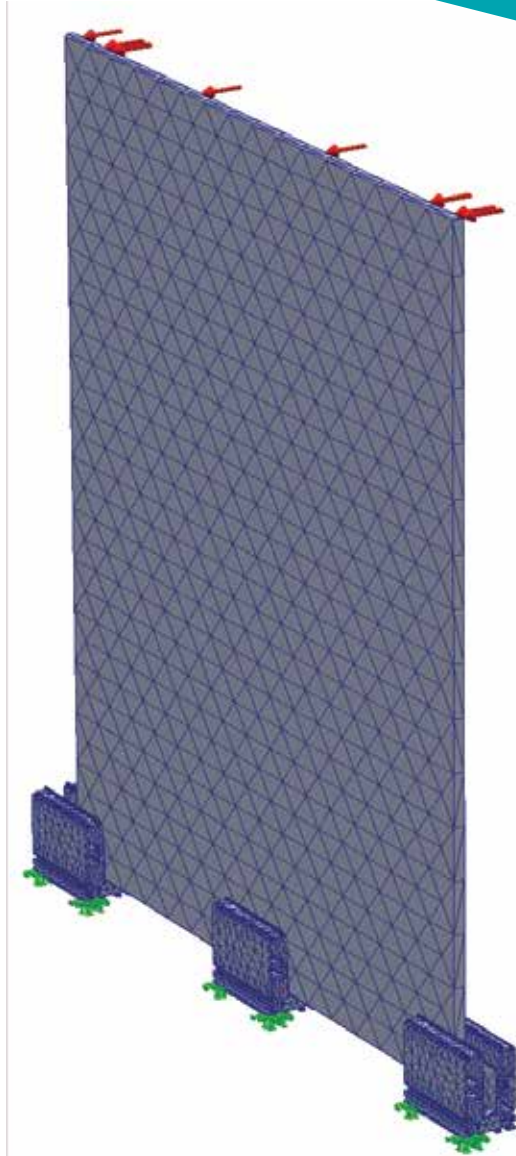
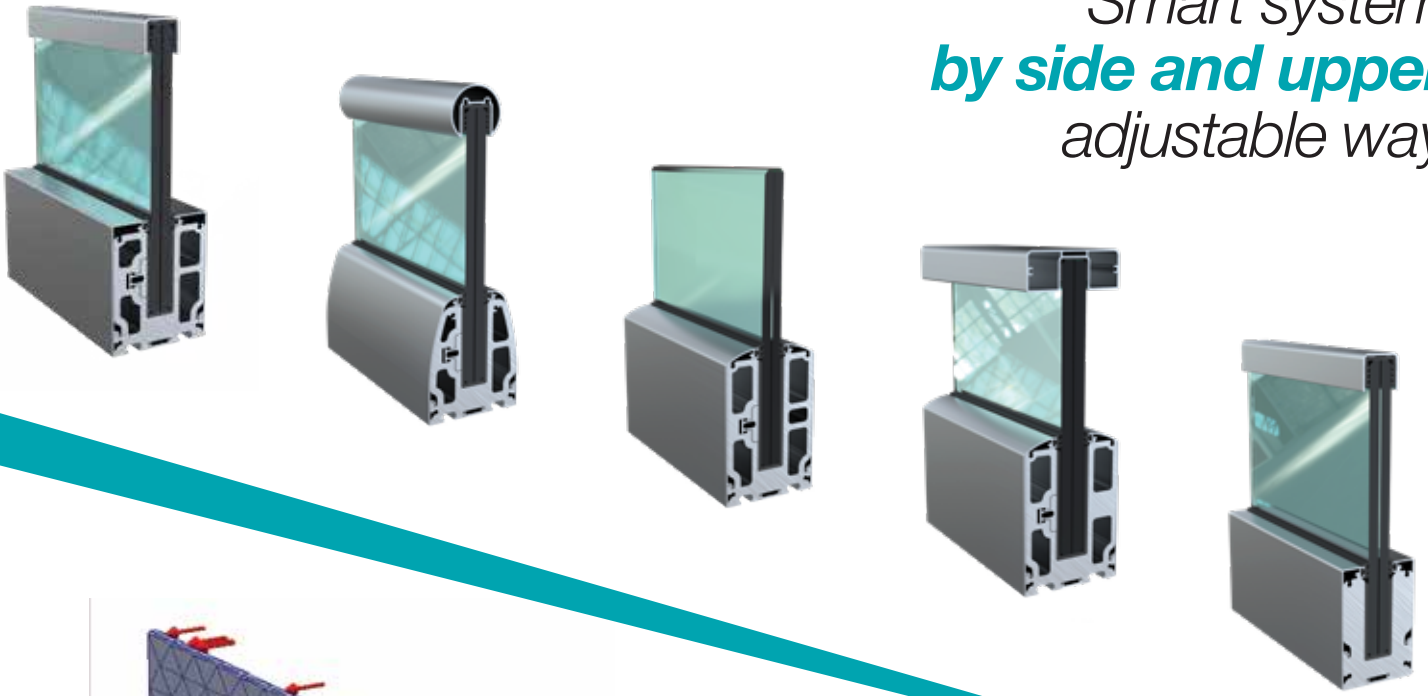
TACTILE SURFACES

CERAMIC FACADE SYSTEMS

OFFICE PARTITION WALLS



*Smart system  
by side and upper  
adjustable way*

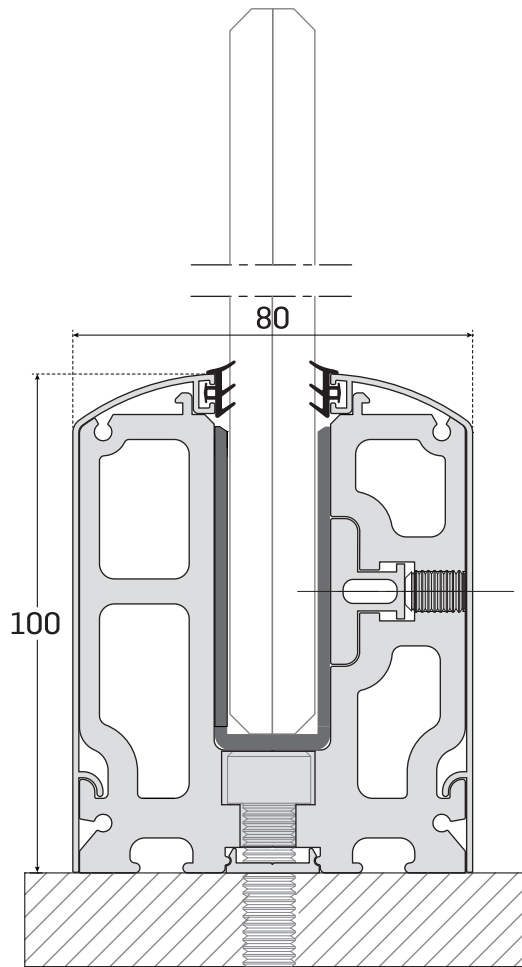


With the Finite Element Analysis (FEA) method, the suitability of the system and the base profiles is checked with the calculations made using the latest software technologies.. Since only the analysis of the base profile is insufficient to obtain accurate results, the entire system is modeled and simulated..

In this regard, calculations are made according to the loads and usage classes stipulated in the BS6399 standard, which is the most accepted in the international arena. While checking the conformity of the displacements in the system to the standard, the stress analysis of the plinth profiles is also checked. When necessary, specific simulations and analyzes can be made for special

# SMART BASE 80-100 GLASS RAIL SYSTEM

8 mm + PVB + 8 mm



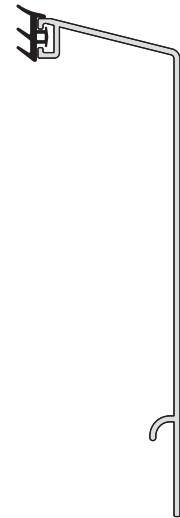
## ALTERNATIVE COVERS



**Smar Base 04**  
80-100 Oval Cover  
Profile + Gasket



**Smar Base 08**  
80-100 Flat Cover  
Profile + Gasket



**Smar Base 10**  
80-100 Angular Cover  
Profile + Gasket

Smart Base 80-100, is suitable for 8 mm+pvb+8 mm glass rail Systems which has 80 mm width and 100 mm height. It can be easily mounted with the adjusting screw and tightening profile on the side and also if necessary, it can also be made top-mounted on the same carrier base. This detail is the most important feature that makes the system superior. It provides different decorative needs with three different alternative cover profiles. Alternative upper handle profiles can be used optionally.

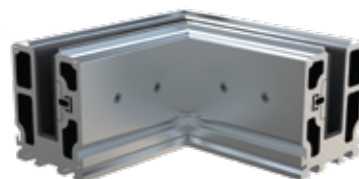
## ACCESSORIES



**Smart Base 01**  
15 cm Base



**Smart Base 02**  
30 cm Base

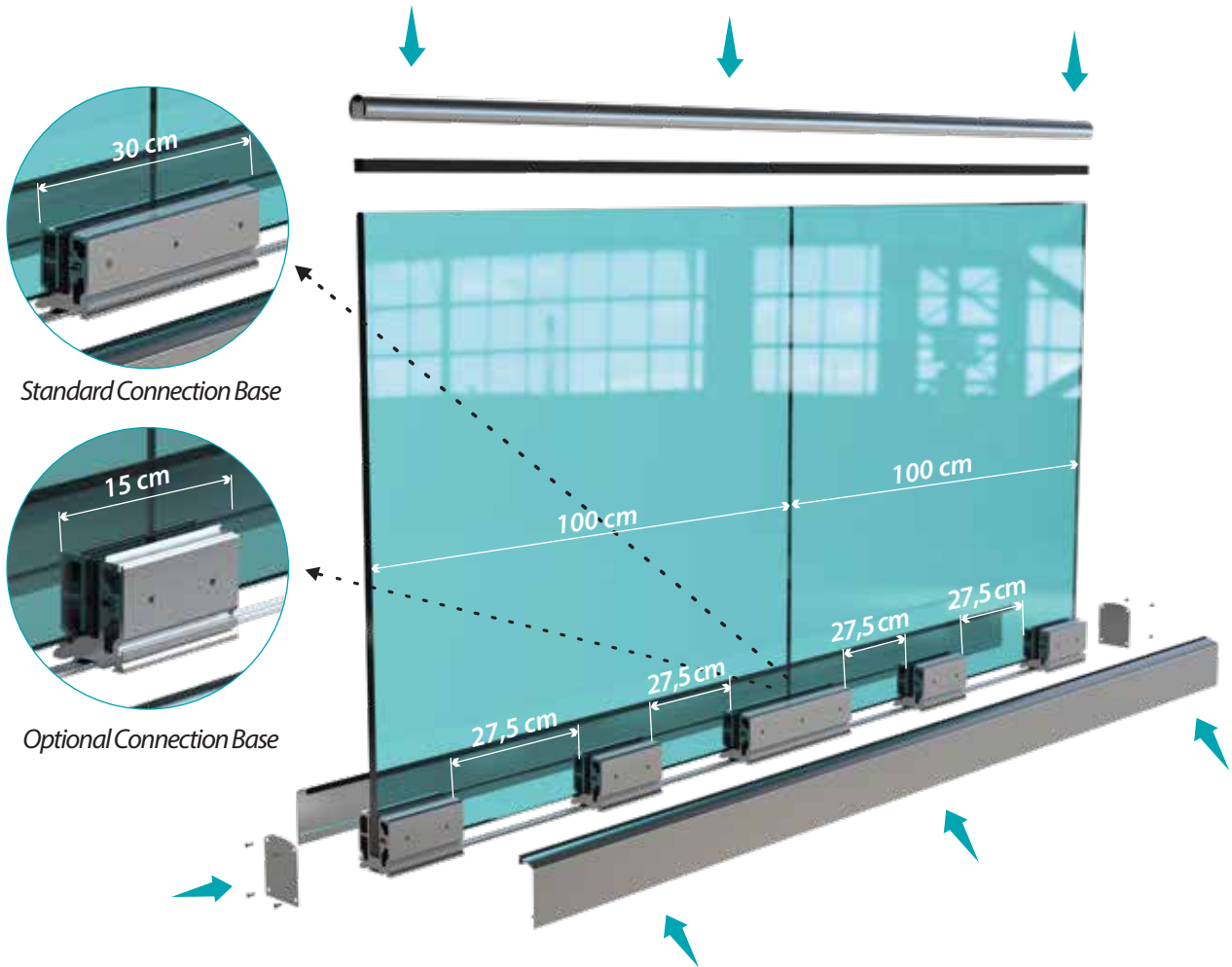


**Smart Base 03**  
15 cm x 15 cm  
Corner Base

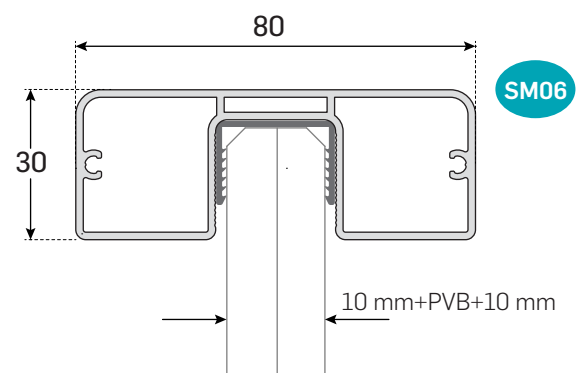
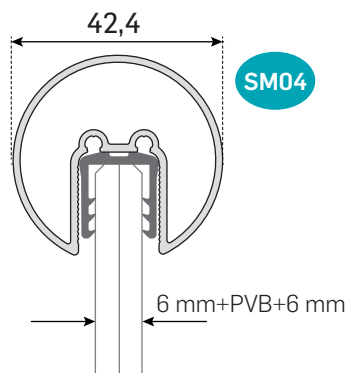
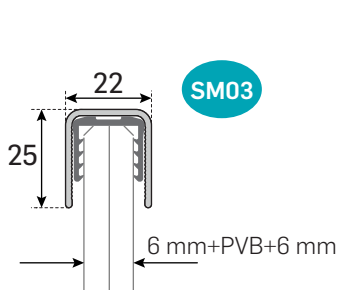
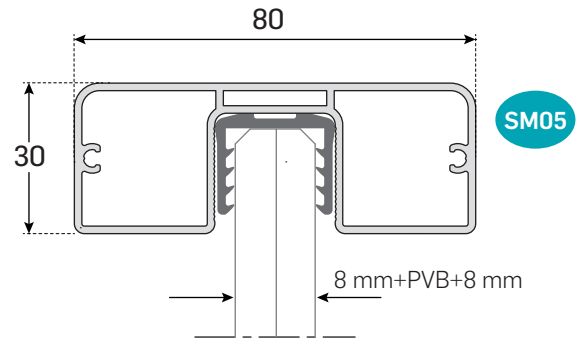
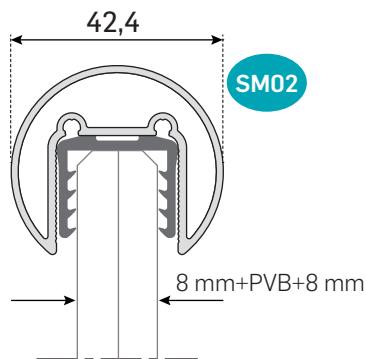
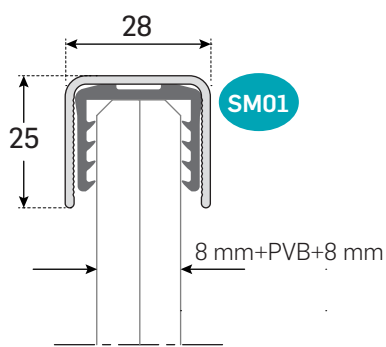


**Smart Base 05-09-11**  
Cover End Cap





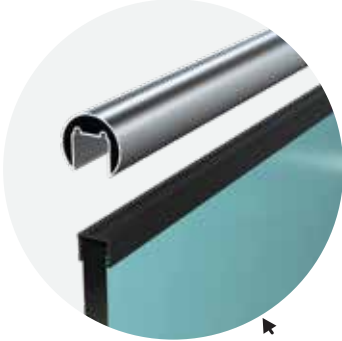
**ALTERNATIVE HANDRAILS**



These are the handle types used for all glass thicknesses used in this catalogue.

## INSTALLATION METHODS

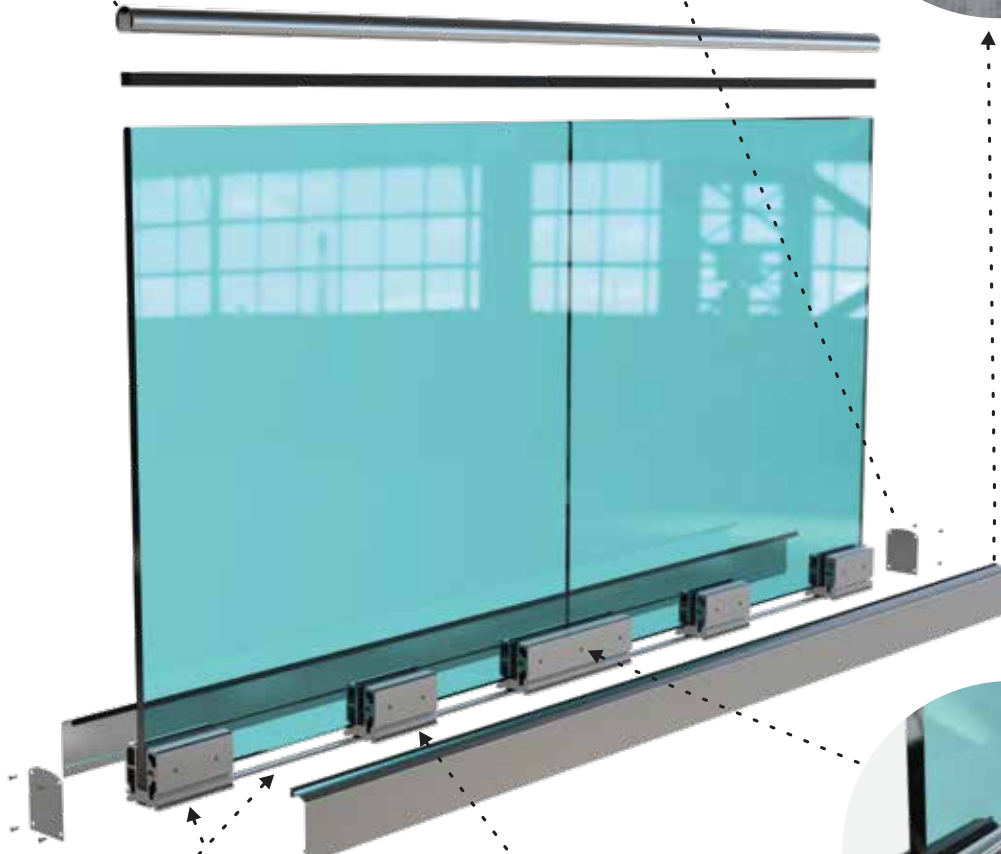
7 Optionally, the handle profile and gasket suitable for the upper part of the glass firmly fixed or siliconized.



6 If available, the cover end element is screwed to the end areas.



5 Side covers are attached with their gaskets by pressing down from the top.



1 The line to be applied is drawn or optional guide profile is screwed to the floor



2 Carrier bases are fixed to the floor with appropriate distance and appropriate anchors. (Ask the manufacturer for information.)



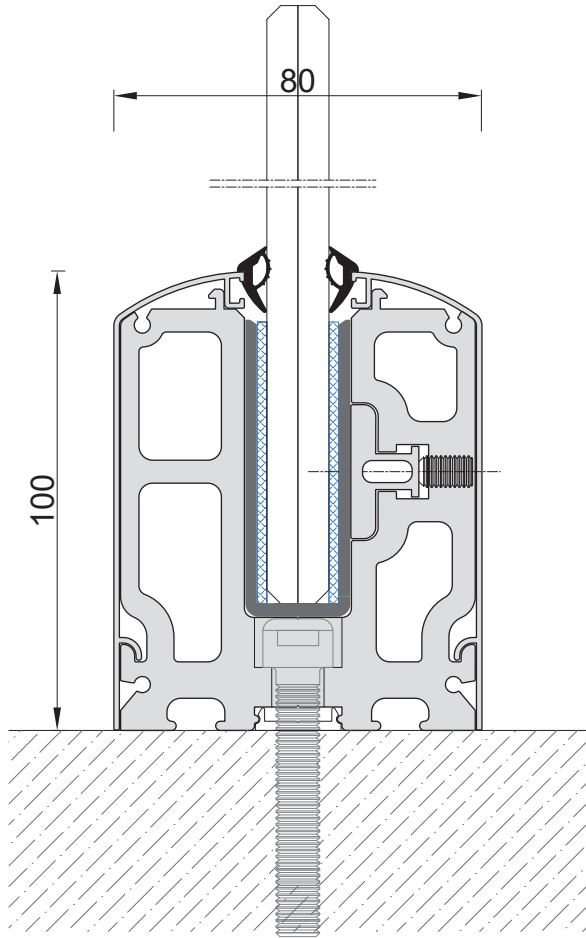
3 3 Plastic wedges are placed on carrier bases.



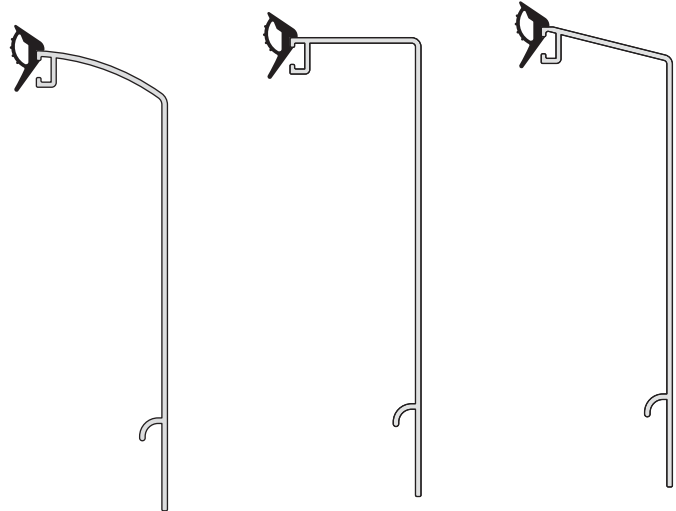
4 Glasses of appropriate thickness are placed on the scale and placed. Tightened with screws.

# SMART BASE 80-100A GLASS RAIL SYSTEMS

6 mm + PVB + 6 mm



## KAPAK ALTERNATİFLERİ



**Smar Base 04A**

80-100A Oval Cover Profile + Gasket

**Smar Base 08A**

80-100A Flat Cover Profile + Gasket

**Smar Base 10A**

80-100A Angular Cover Profile + Gasket

**Important note:** The cover profile is attached first, then the gasket, by pressing..

Smart Base 80-100A, is suitable for 6 mm+pvb+6 mm glass rail Systems which has 80 mm width and 100 mm height. It can be easily mounted with the adjusting screw and tightening profile on the side and also if necessary, it can also be made top-mounted on the same carrier base. This detail is the most important feature that makes the system superior. It provides different decorative needs with three different alternative cover profiles. Alternative upper handle profiles can be used optionally.

## ACCESSORIES



**Smart Base 01A**  
15 cm Base



**Smart Base 02A**  
30 cm Base

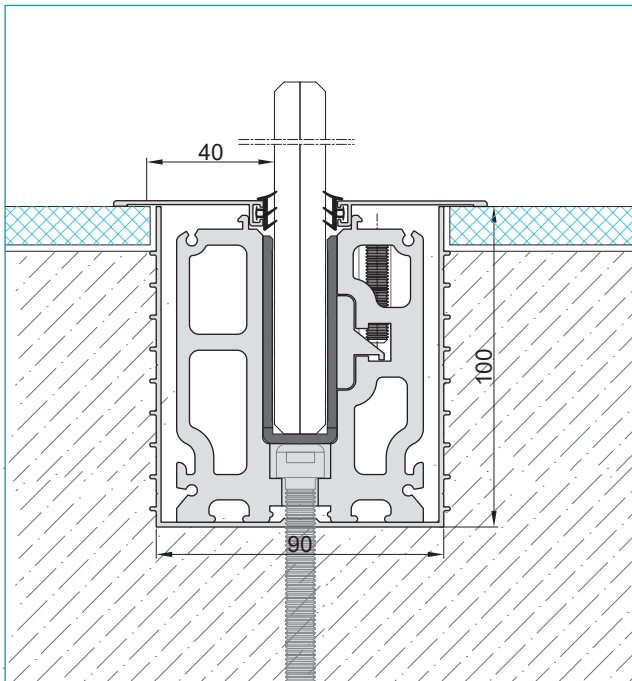


**Smart Base 03A**  
15 cm x 15 cm  
Corner Base

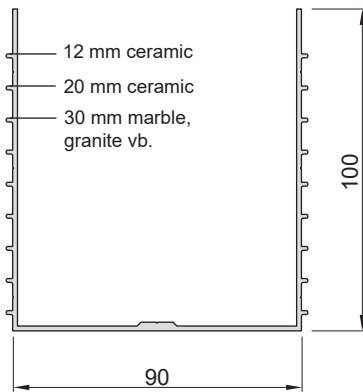


**Smart Base 05-09-11**  
Cover End Cap

**SMART BASE 80-100 B** RECESSED TYPE/SYSTEM DETAIL-1 8 mm + PVB + 8 mm



Smart Base 80-100 B System adjustable from above surface. This is the biggest feature and advantage of this system. No need for extra stock. Only the assembly form and mechanical processes are different.



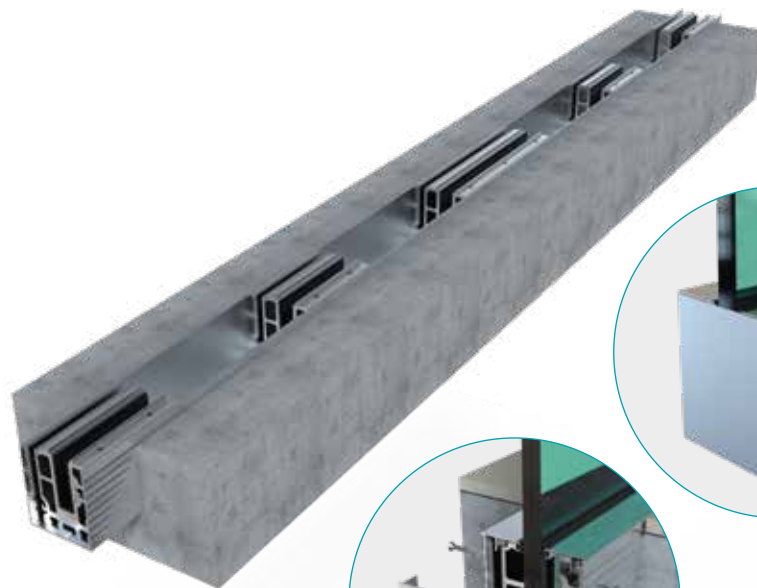
**Smart Base 28**  
Channel Profile



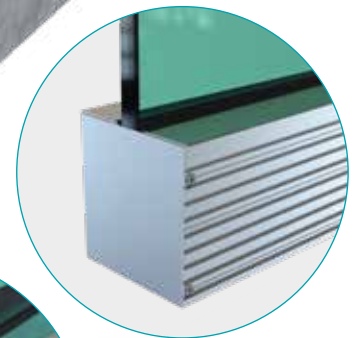
**Smart Base 29**  
Channel Cover Profile



**Smart Base 26**  
Upper Cover Profile + Gasket



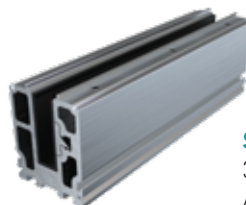
*\* Compatible with all floor coverings*



**ACCESSORIES**



**Smart Base 01B**  
15 cm Above  
Adjustable Base



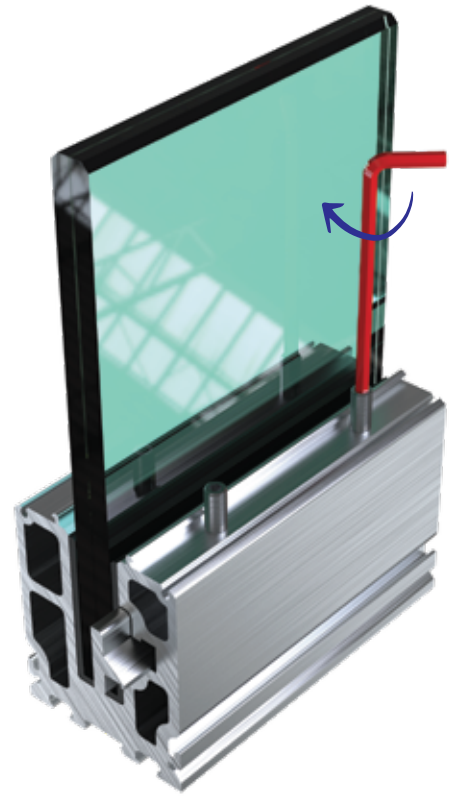
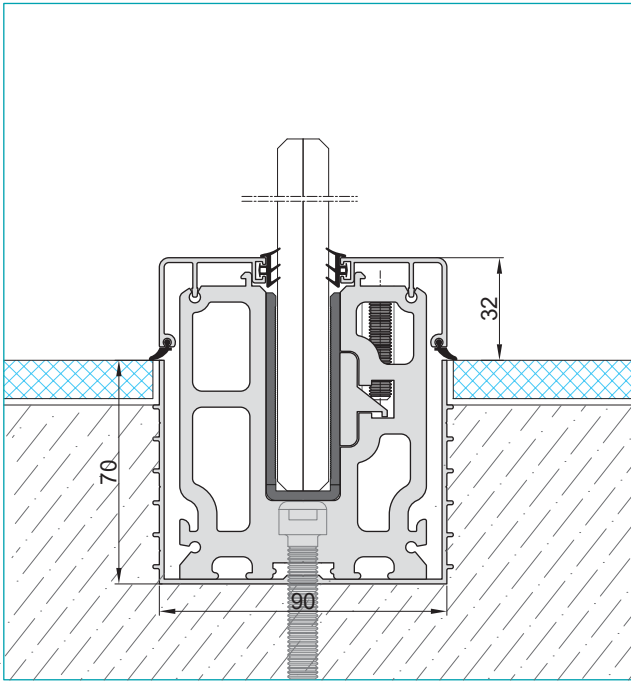
**Smart Base 02B**  
30 cm Above  
Adjustable Base



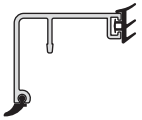
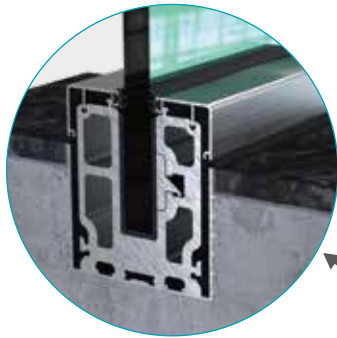
**Smart Base 29B**  
Channel Cover End Cap



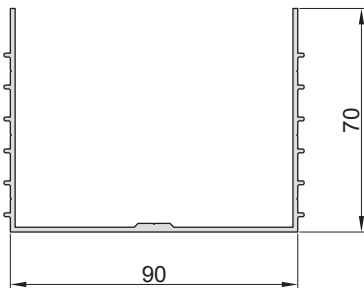
**SMART BASE 80-100 C RECESSED TYPE/SYSTEM DETAIL-2** 8 mm + PVB + 8 mm



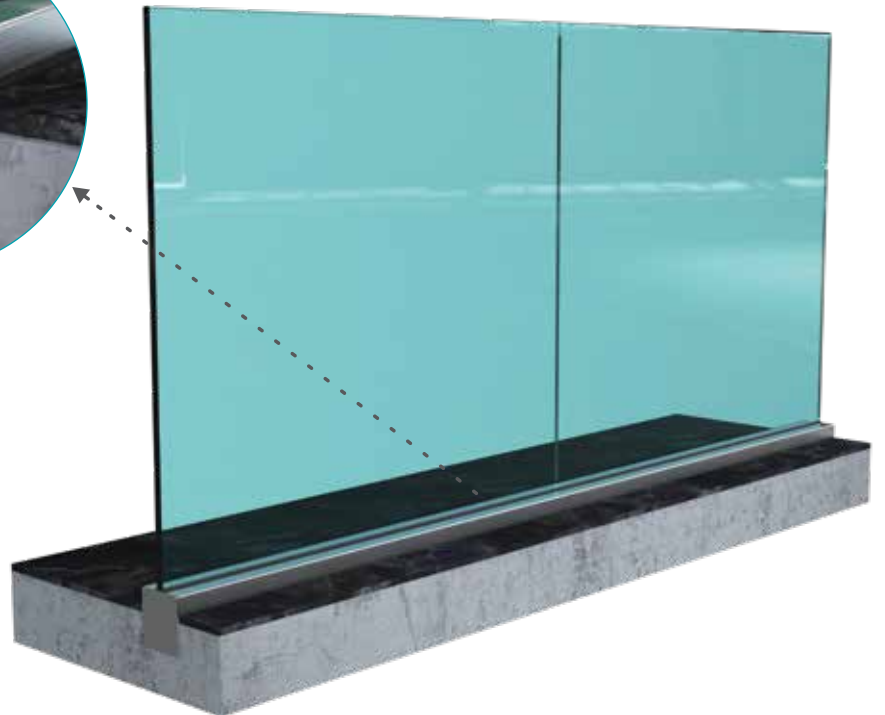
The same system can be used for floor coverings with less height, only by changing the cover and channel profile.



**Smart Base 31**  
Upper Cover Profile + Gasket



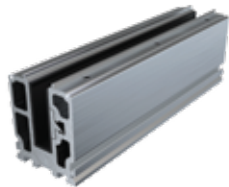
**Smart Base 30**  
Channel Profile



**ACCESSORIES**



**Smart Base 01B**  
15 cm Above Adjustable Base



**Smart Base 02B**  
30 cm Above Adjustable Base

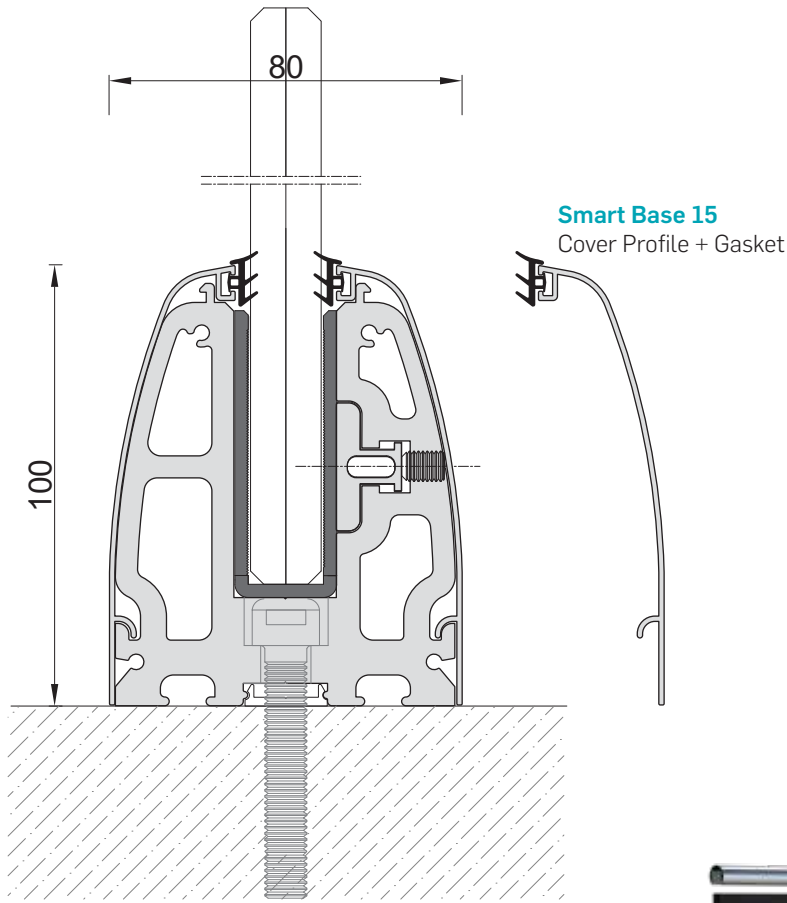


**Smart Base 29C**  
Channel Cover End Cap



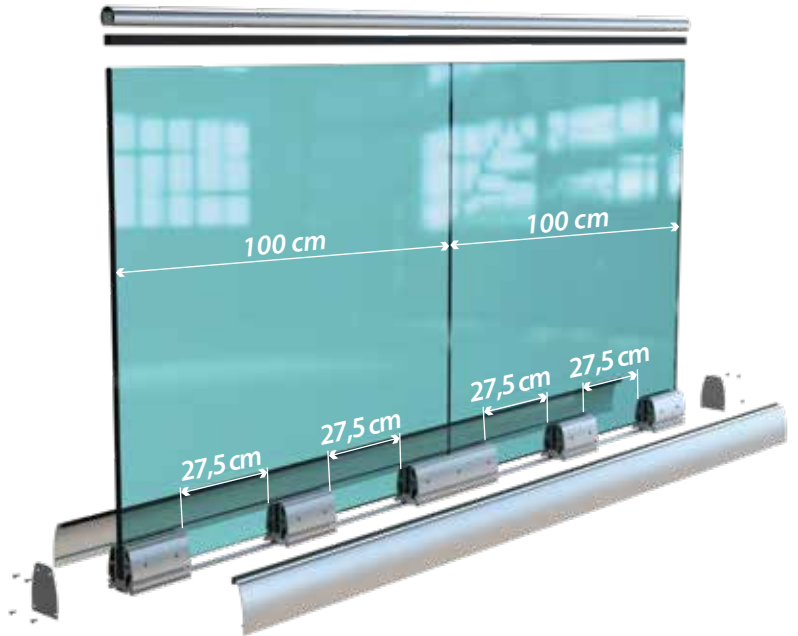
**Smart Base 32**  
Cover End Cap (Small)

# SMART BASE K-100 GLASS RAIL SYSTEM



SMART BASE K100 8 mm + PVB + 8 mm

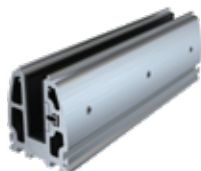
Oval cover and oval base



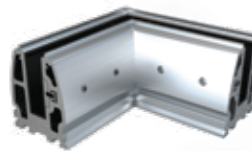
## ACCESSORIES



**Smart Base 12**  
15 cm Base



**Smart Base 13**  
30 cm Base

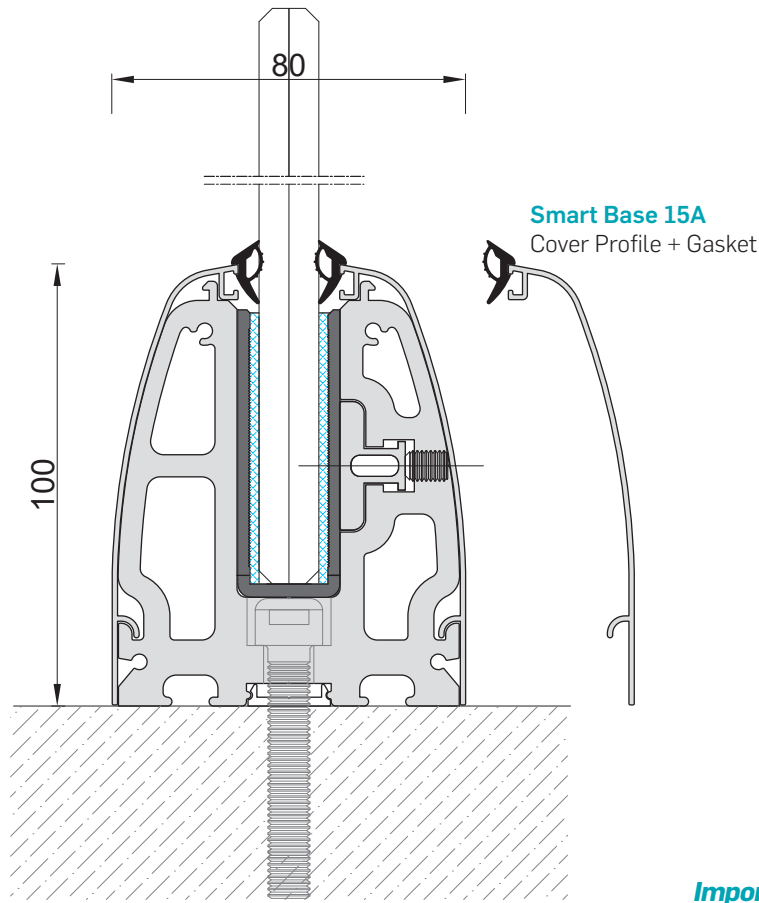


**Smart Base 14**  
15 cm x 15 cm  
Corner Base



**Smart Base 16**  
Cover End Cap

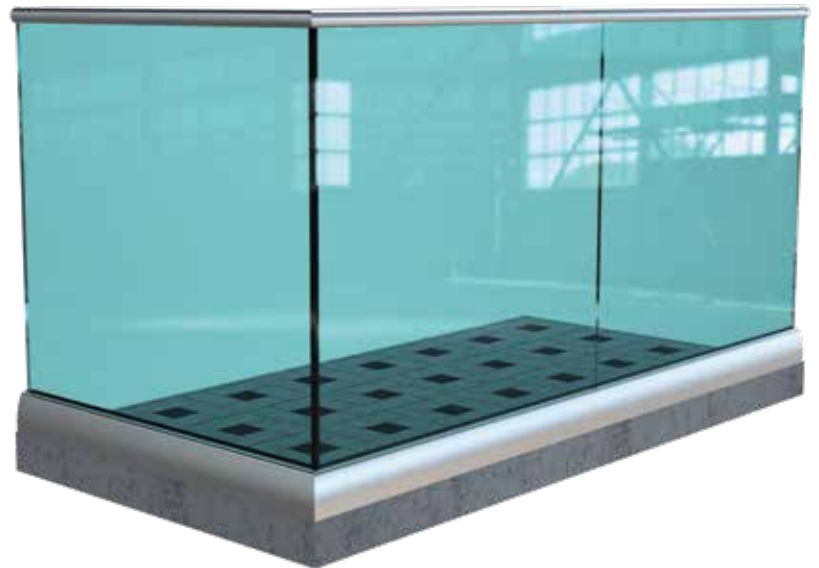
# SMART BASE K-100A GLASS RAIL SYSTEM



**Important note:** The cover profile is attached first, then the gasket, by pressing.

## SMART BASE K-100A

6 mm + PVB + 6 mm

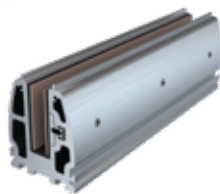


It is used on 6 mm+PVB+6 mm glass by changing only the plastic wedges and cover gasket.

### ACCESSORIES



**Smart Base 12A**  
15 cm Base



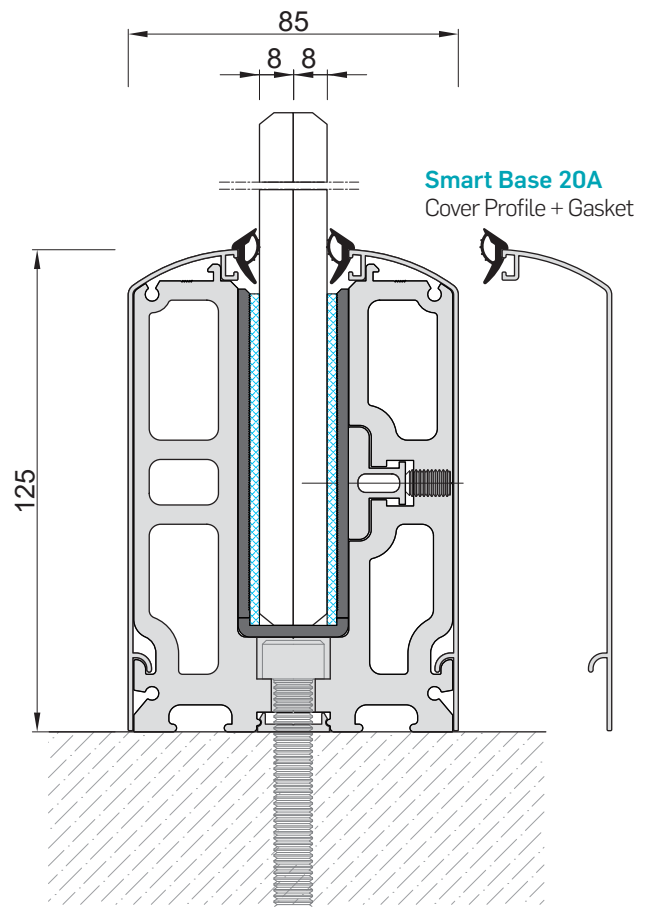
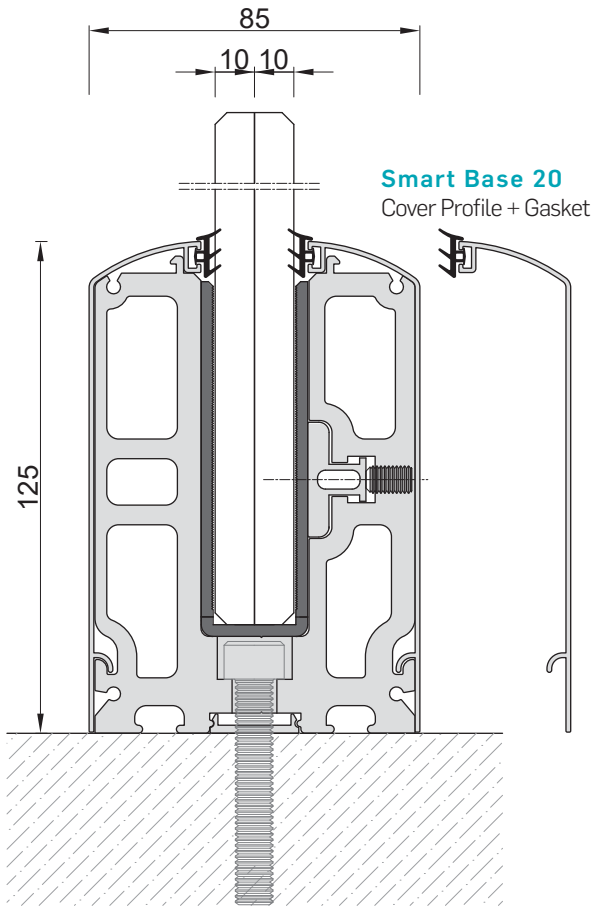
**Smart Base 13A**  
30 cm Base



**Smart Base 14A**  
15 cm x 15 cm  
Corner Base



**Smart Base 16**  
Cover End Cap



**SMART BASE 85-125**  
GLASS RAIL SYSTEM  
10 mm + PVB + 10 mm



**SMART BASE 85-125A**  
GLASS RAIL SYSTEM  
8 mm + PVB + 8 mm



**ACCESSORIES**



**Smart Base 22**  
15 cm Base



**Smart Base 23**  
30 cm Base



**Smart Base 21**  
Cover End Cap



**Smart Base 24**  
15 cm x 15 cm  
Corner Base



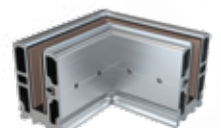
**Smart Base 22A**  
15 cm Base



**Smart Base 21**  
Cover End Cap

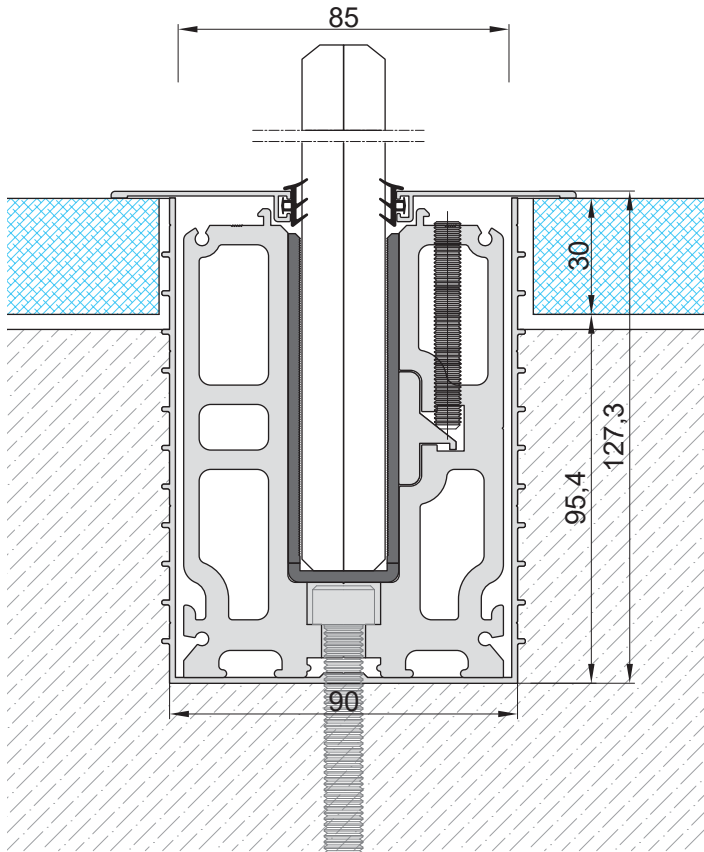


**Smart Base 23A**  
30 cm Base



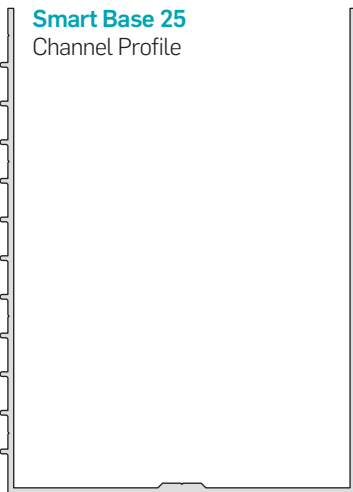
**Smart Base 24A**  
15 cm x 15 cm  
Corner Base





Suitable for higher and thicker glasses in areas with more intensive use, such as shopping malls (Max. 120 cm) (8+pvb+8 ve 10+pvb+10)

**SMART BASE 85-125B**  
RECESSED SYSTEM DETAIL 1  
10 mm + PVB + 10 mm



**Smart Base 25**  
Channel Profile



**Smart Base 26**  
Upper Cover Profile + Gasket



**ACCESSORIES**



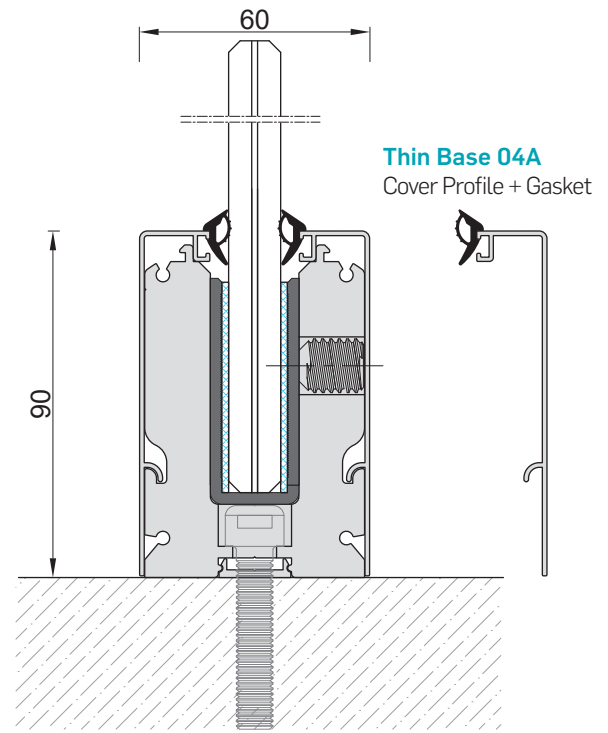
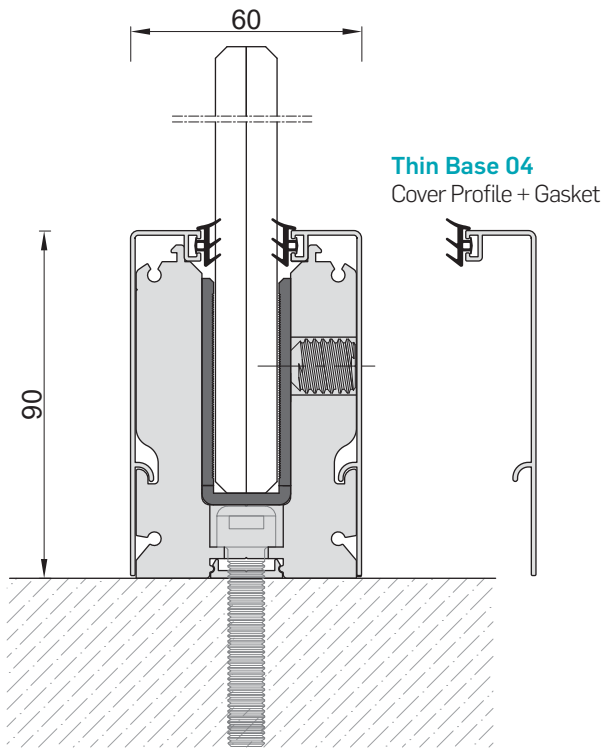
**Smart Base 22B**  
15 cm Base



**Smart Base 23B**  
30 cm Base



**Smart Base 27**  
Channel Cover End Cap



**THIN BASE 90**  
GLASS RAIL SYSTEM  
8 mm + PVB + 8 mm

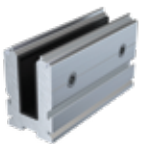


**THIN BASE 90A**  
GLASS RAIL SYSTEM  
6 mm + PVB + 6 mm

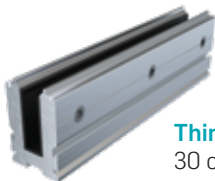


It is a glass railing system that can be adjustable from the side with M16x15 screws. It has a vertical decorative finish cover.

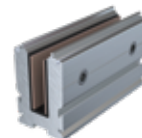
**ACCESSORIES**



**Thin Base 01**  
15 cm Base



**Thin Base 02**  
30 cm Base



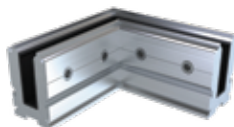
**Thin Base 01A**  
15 cm Base



**Thin Base 02A**  
30 cm Base



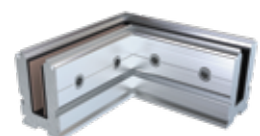
**Thin Base 05**  
Cover End Cap



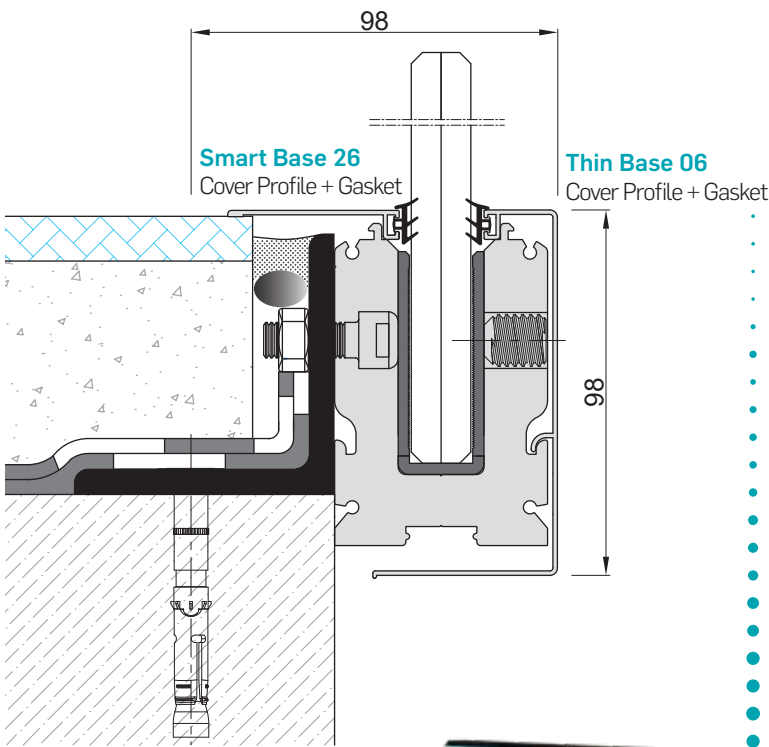
**Thin Base 03**  
15 cm x 15 cm Corner Base



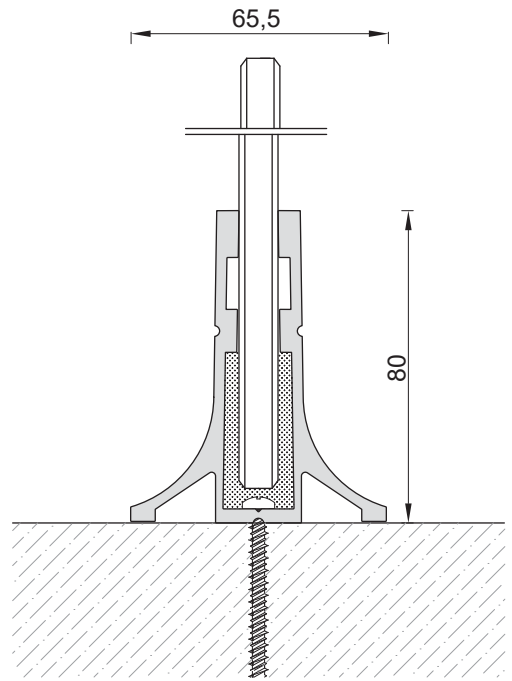
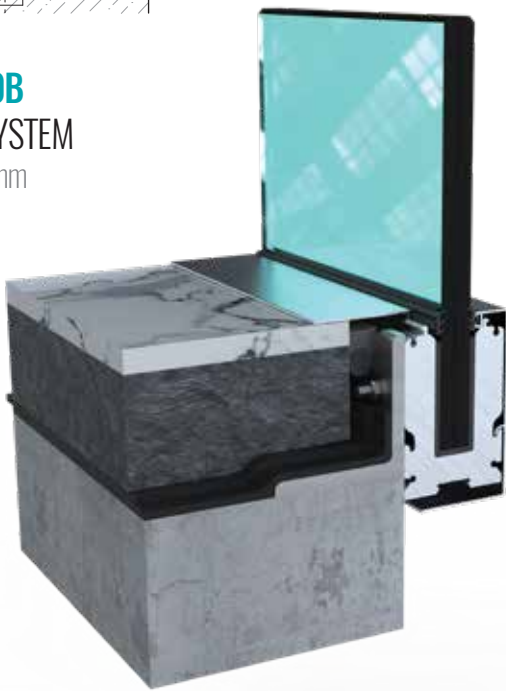
**Thin Base 05**  
Cover End Cap



**Thin Base 03A**  
15 cm x 15 cm Corner Base



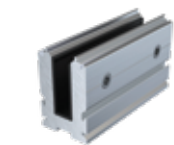
**THIN BASE 90B**  
GLASS RAIL SYSTEM  
8 mm + PVB + 8 mm



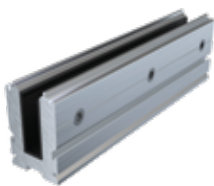
**SLIM BASE**  
GLASS RAIL SYSTEM  
10 mm



**ACCESSORIES**



**Thin Base 01B**  
15 cm Base



**Thin Base 02B**  
30 cm Base



**Thin Base 08**  
Cover End Cap



**Thin Base 07**  
Continually Base



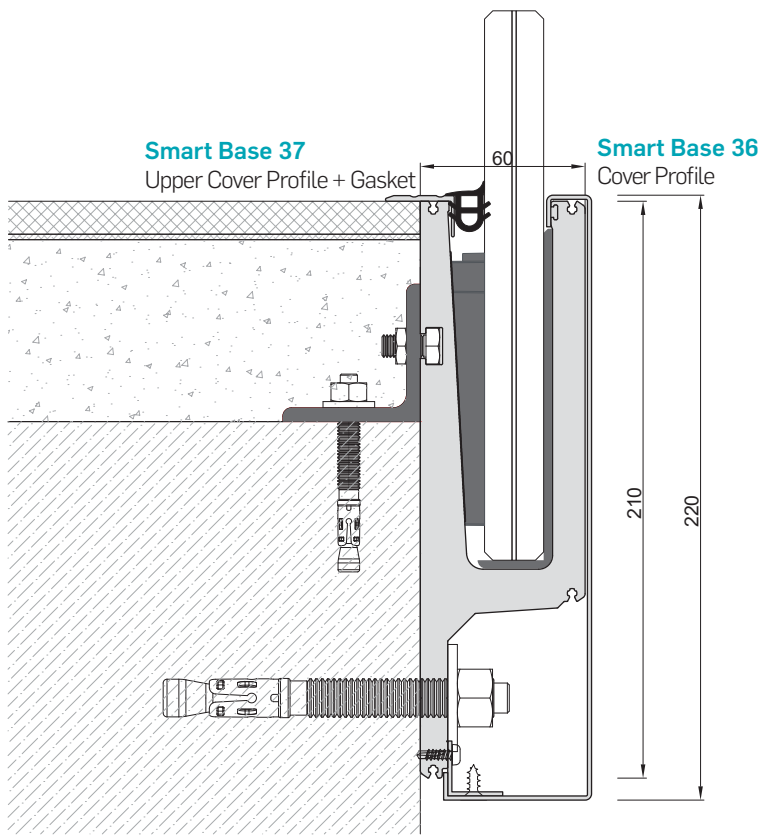
**Slim Base 02**  
Cover End Cap



**Slim Base 01**  
Continually Base

# SMARTBASE 60-220 GLASS RAIL SYSTEM

10 mm + PVB + 10 mm

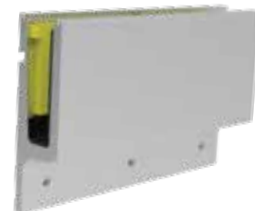


Smart Base 60-220 The glass railing system is a carrier base system suitable for 8+pvb+8 mm and 10+pvb+10 mm glass, which can be applied as console type, especially in balcony applications. Partial assembly or continuous assembly can be done

## ACCESSORIES



**Smart Base 33**  
15 cm Base



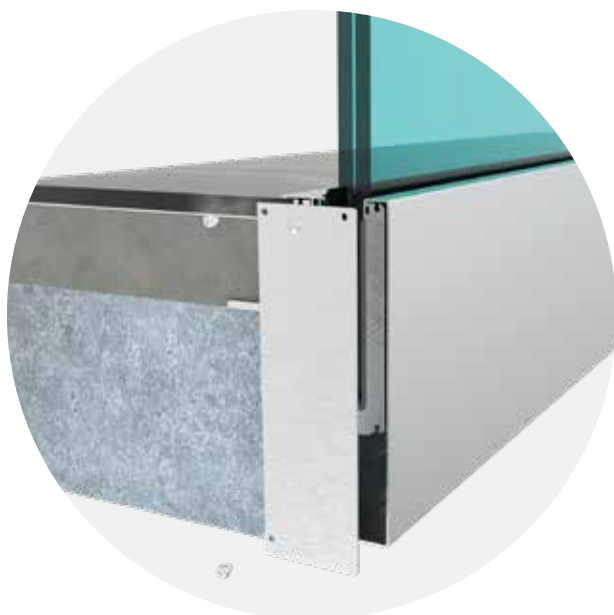
**Smart Base 34**  
30 cm Base



**Smart Base 38**  
Cover End Cap



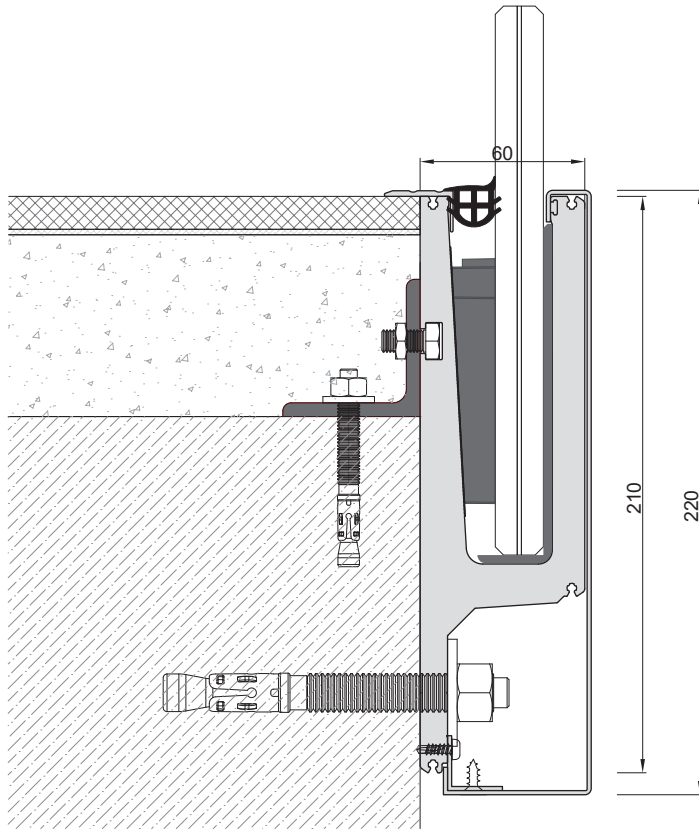
**Smart Base 35**  
Continually Base





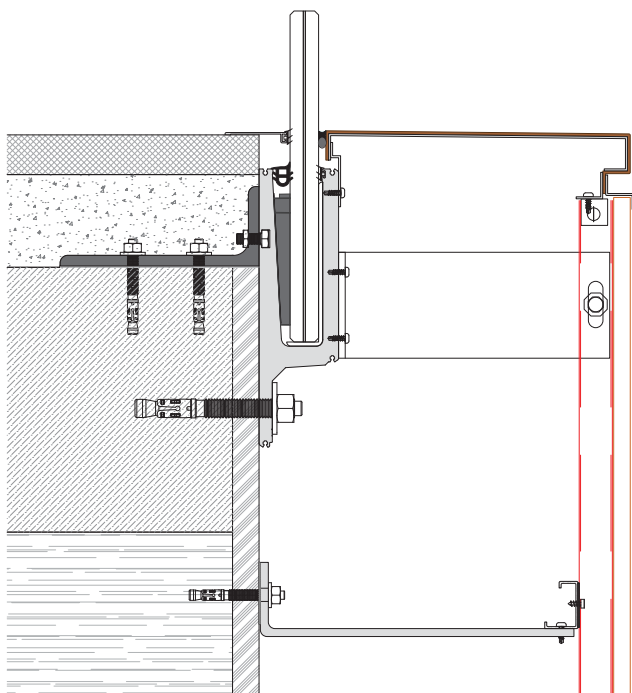
## SMARTBASE 60-220A GLASS RAIL SYSTEM

8 mm + PVB + 8 mm



## SMARTBASE 60-220

FACADE AND COMPOSITE PANEL DETAIL



# applications

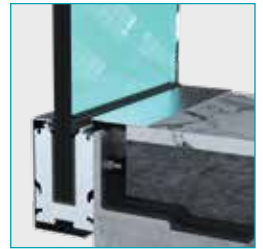
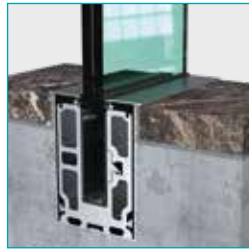
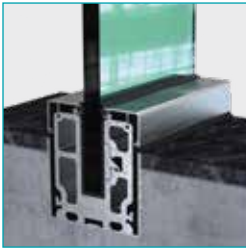
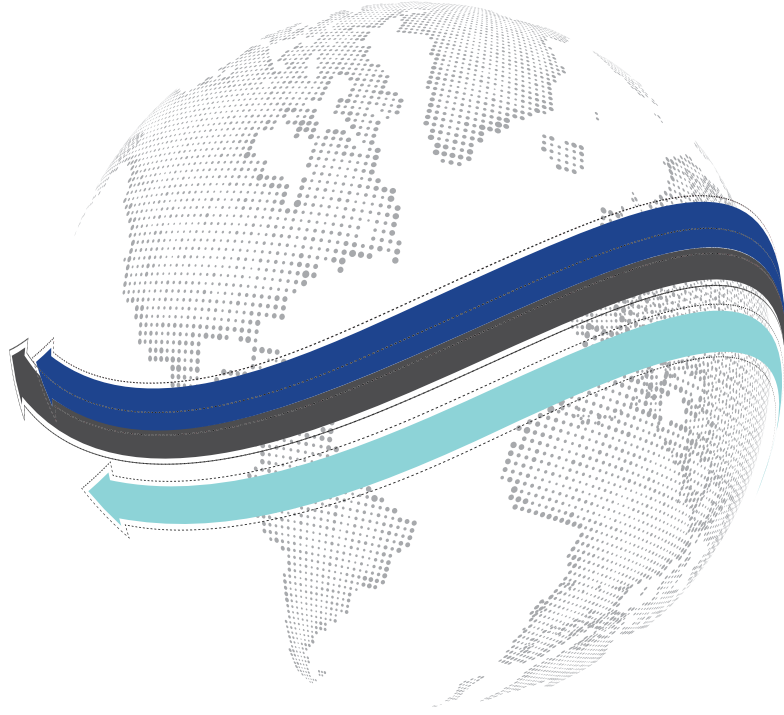




# applications



we build solutions...



**ARFEN ALÜMİNYUM SAN. VE TİC. A.Ş.**

Ergene 1. OSB (233 Ada 1. Parsel) Vakıflar  
Osb Mah. 4. Sokak No:1 Ergene / Tekirdağ  
**Tel:** +90 (282) 672 26 73 - 74 **Fax:** +90 (282) 672 26 74

[www.arfenaluminyum.com.tr](http://www.arfenaluminyum.com.tr)

